

## PERIODICALS

Search

### ENGINEERING RESEARCH

**Advanced Engineering Forum** (</AEF/editors>)

**Journal of Biomimetics, Biomaterials and Biomedical Engineering** (</JBBBE/editors>)

**Advances in Science and Technology** (</AST/editors>)

**Applied Mechanics and Materials** (</AMM/editors>)

**International Journal of Engineering Research in Africa** (</JERA/editors>)

**Foundations of Materials Science and Engineering** (</FoMSE/editors>)

### MATERIALS SCIENCE

**Journal of Metastable and Nanocrystalline Materials** (</JMNM/editors>)

**Journal of Nano Research**

Home (/) > **Advanced Materials Research** (</AMR>) > **Editorial Board** (</AMR/rss>)



## Advanced Materials Research

ISSN: 1662-8985

**Volumes** (</AMR>)    **My eBooks** (</AMR/ebooks>)    **Details** (</AMR/details>)    **Editorial Board** (</AMR/editors>)

#### Editor(s) in Chief

*Prof. Xiao Zhi Hu*

University of Western Australia, School of Mechanical and Chemical Engineering; Perth, Australia, WA 6009;

*Prof. Alan Kin Tak Lau*

Hong Kong Polytechnic University, Department of Mechanical Engineering; Hung Hom, Kowloon, Hong Kong, China;

#### Editorial Board

*Dr. Peng Cao*

University of Auckland, Department of Chemical and Materials Engineering; Private Bag, Auckland, New Zealand, 92019;

*Prof. Ionel Chicinas*

Technical University of Cluj-Napoca, Faculty of Materials and Environmental Engineering, Department of Materials Science and Engineering; 103-105 Muncii Blv., Cluj-Napoca, 400641,

**(/JNanoR/editors)**  
**Defect and Diffusion Forum (/DDF/editors)**  
**Solid State Phenomena (/SSP/editors)**  
**Diffusion Foundations (/DF/editors)**  
**Materials Science Forum (/MSF/editors)**  
**Key Engineering Materials (/KEM/editors)**  
**Nano Hybrids (/NH/editors)**  
**Advanced Materials Research (/AMR/editors)**

## LIMITED COLLECTIONS

**Specialized Collections (/SC/editors)**  
**Retrospective Collection (/RC/editors)**

Romania;

*Prof. Prafulla K. Jha*

Maharaja Sayajirao University of Baroda, Department of Physics, Faculty of Science; Vadodara, India, 390 002;

*Prof. Heinz Palkowski*

Clausthal University of Technology, Institute of Metallurgy;

Robert-Koch-Strasse 42, Clausthal-Zellerfeld, 38678,

Germany;

*Prof. Wolfgang Sand*

University of Duisburg-Essen, Biofilm Centre, Aquatic

Biotechnology; Geibelstrasse 41, Duisburg, 47057, Germany;

*Dr. Ching Hua Su*

NASA/Marshall Space Flight Center, EM31 NASA/Marshall

Space Flight Center; Huntsville, USA, 35812;

## Useful Links

SUBSCRIPTIONS

(/ACCOUNT/SUBSCRIPTIONS)/FoMSE.91)

FOR EDITORS (/INFO)

LOG IN

(/ACCOUNT/LOGON?

RETURNURL=%2FAMR%2FEDITORS)

MY CART

(/PAYMENT/CART)

SEARCH

(/PAPERSSEARCH.ASPX)

CONTACT US

(/HOME/CONTACTS)

TERMS AND

CONDITIONS

## Recent Themes

- Advanced Engineering Forum Vol. 16 (/AEF.16)
- Structure and Properties of Building Materials
- New Frontiers in Manufacturing Engineering and Materials Processing Training and Learning II (/MSF.853)

Scientific.Net  
By Trans Tech Publications Ltd

Scientific.Net is a registered

brand of Trans Tech

Publications Inc.

2016 by Trans Tech

Publications Inc. All Rights

Reserved

[\(/HOME/TERMSANDCONDITIONS\)](#)

[POLICY AND ETHICS](#)

[\(/HOME/POLICYANDETHICS\)](#)

[CONFERENCE ETHICS](#)

[AND QUALITY](#)

[CONTROL](#)

[\(/HOME/CONFERENCEETHICSANDQUALITYCONTROL\)](#)

[DISTRIBUTORS](#)

[\(/DISTRIBUTOR\)](#)

[DOWNLOADS](#)

[\(/DOWNLOADS\)](#)

[ABOUT US](#)

[\(/HOME/ABOUTUS\)](#)

[SITEMAP](#)

[\(/HOME/SITEMAP\)](#)



## MAIN THEMES

Search

**Innovative Materials: Engineering and Applications Vol. 1052 (/AMR.1052)**

**Applied Engineering Decisions in the Context of Sustainable Development Vol. 1051 (/AMR.1051)**

**Modern Technologies in Materials, Mechanics and Intelligent Systems Vols. 1049-1050 (/AMR.1049-1050)**

**Advances in Textile Engineering and Materials IV Vol. 1048 (/AMR.1048)**

**Trends in Condensed Matter and Materials Science Vol. 1047 (/AMR.1047)**

**Advanced Development of Engineering Science IV Vol. 1046 (/AMR.1046)**

**Frontiers of Energy, Materials and Information Engineering Vols. 1044-1045 (/AMR.1044-1045)**

Home (/) > Advanced Materials Research (/AMR) > Frontiers of Energy, Materials and Information...

## Frontiers of Energy, Materials and Information Engineering

Volumes 1044-1045

doi: 10.4028/www.scientific.net/AMR.1044-1045

**Papers (/AMR.1044-1045) Book (/AMR.1044-1045/book)**

- << (/AMR.1044-1045)
- < (/AMR.1044-1045/5) ...
- 4 (/AMR.1044-1045/4)
- 5 (/AMR.1044-1045/5) 6
- 7 (/AMR.1044-1045/7)
- 8 (/AMR.1044-1045/8) ...
- > (/AMR.1044-1045/7)
- >> (/AMR.1044-1045/42)

Paper Title

Page

**An Analysis to the Understanding of Safety Equipment for Construction Workers (/AMR.1044-1045.228)**

Authors: Yoon Seok Shin, Gwang Hee Kim

Chapter 2: Power, Energy and Thermal

**Engineering and Innovative Materials III Vol. 1043 (/AMR.1043)**  
**Materials Science and Intelligent Technologies Applications Vol. 1042 (/AMR.1042)**  
**enviBUILD 2014 Vol. 1041 (/AMR.1041)**  
**High Technology: Research and Applications Vol. 1040 (/AMR.1040)**  
**Advanced Manufacturing and Automation Vol. 1039 (/AMR.1039)**  
**11th International Congress Molded Interconnect Devices – Scientific Proceedings Vol. 1038 (/AMR.1038)**

Engineering, Environmental and Safety Engineering

Abstract:According to the industrial accident statistics reported by the Korea Occupational Safety and Health Agency, about 10 percent of accidental...

**228**

**An Investigation of Radiant Heat Distribution on Drying Area in the Chamber of Infrared Rotary Dryer (/AMR.1044-1045.232)**

**Authors: J. Laohavanich, S. Yangyuen, N. Thowjantuek**

Chapter 2: Power, Energy and Thermal Engineering, Environmental and Safety Engineering

Abstract:An investigation of radiant heat distribution on drying area in the chamber of infrared-rotary dryer (IRD) was conducted by measuring the...

**232**

**Analysis for Mechanism of Becoming and Characterization of Cohesive Sediment of Tarim River (/AMR.1044-1045.236)**

**Authors: Shao Yun Deng**

Chapter 2: Power, Energy and Thermal Engineering, Environmental and Safety Engineering

Abstract:The author of this article had given a brief analysis of the water network characteristics and properties and surrounding environment and...

**236**

**Analysis of Water Quality and Control Countermeasures of Yazidang Reservoir in Ningxia, China (/AMR.1044-1045.240)**

**Authors: Lan Xiang Zheng, Yu Ran, Cheng Yang, Chun Guang Li**

Chapter 2: Power, Energy and Thermal Engineering, Environmental and Safety Engineering

Abstract:Yazidang Reservoir is a pumped-storage reservoir for water supply in Ningdong Chemical Industry Base of Ningxia, China. It plays an important...

**240**

**Apparatus Determining Water Activity with**

## **Isopiestic Method and Measurement of Water Activity (/AMR.1044-1045.244)**

**Authors:** Hai Jun Han, Li Jiang Guo, Yan Yao, De Wen Zeng

Chapter 2: Power, Energy and Thermal Engineering, Environmental and Safety Engineering

Abstract: A new apparatus determining water activity using isopiestic method was developed. The water activities of the systems of LiCl–H<sub>2</sub>O,...

**244**

## **Application of the Blast Furnace Top Gas Instead of Nitrogen after Pressurizing (/AMR.1044-1045.248)**

**Authors:** Yan Wang, Liang Dai

Chapter 2: Power, Energy and Thermal Engineering, Environmental and Safety Engineering

Abstract: Abstract: In view of the situation of domestic iron and steel enterprises to energy-saving, consumption reduction, reducing emissions, to...

**248**

## **Behavior of Flame Propagation in Biogas Spark Ignited Premix Combustion with Carbon Dioxide Inhibitor (/AMR.1044-1045.251)**

**Authors:** Willyanto Anggono, Fandi Dwiputra Suprianto, Tubagus P. Wijaya, Michael S.C. Tanoto

Chapter 2: Power, Energy and Thermal Engineering, Environmental and Safety Engineering

Abstract: Biogas is a mixture of gases which commonly consists of methane (up to 50%) and other inhibitor gases which are dominated by carbon dioxide...

**251**

## **Benefit Analysis and FGD Optimization for Designed Power Plant Based on Comprehensive Benefit Index System (/AMR.1044-1045.255)**

**Authors:** Rui Rui, Ding Ye, Jiang Long

Chapter 2: Power, Energy and Thermal Engineering, Environmental and Safety Engineering

Abstract: The benefit analysis and optimization of the FGD system is an important part of the design of the power plant. This paper introduces a comprehensive benefit index system to evaluate the benefit of the FGD system. The benefit index system is composed of the benefit index of the FGD system, the benefit index of the power plant, and the benefit index of the environment. The benefit index system is used to evaluate the benefit of the FGD system. The benefit index system is used to evaluate the benefit of the FGD system. The benefit index system is used to evaluate the benefit of the FGD system.

**255**

Abstract: Taking the initial design value for target power plant as standard index values, two comprehensive benefit index systems for flue gas...

255

### **Biodiesel Production from Waste Cooking Oil Using KCL/CaO as Catalyst (/AMR.1044-1045.259)**

**Authors: Si Yi Yu, Xin You Han, Jun Mi**

Chapter 2: Power, Energy and Thermal Engineering, Environmental and Safety Engineering

Abstract: A KCl-doped CaO solid alkali catalyst was obtained in a wet impregnation method and treated under microwave irradiation to obtain enhanced...

259

### **Calculation for Power Consumption of Main Transformer Cooling System in Hydropower Plant Based on Pearson Correlation Coefficient (/AMR.1044-1045.263)**

**Authors: Hai Sheng Liu, Hai Ying Huang, Shao Hua Xiao**

Chapter 2: Power, Energy and Thermal Engineering, Environmental and Safety Engineering

Abstract: This paper presents a method based on Pearson correlation coefficient to calculate the power consumption of main transformer cooler aiming at...

263

**<< (/AMR.1044-1045)**

**< (/AMR.1044-1045/5)**

...

**4 (/AMR.1044-1045/4)**

**5 (/AMR.1044-1045/5)**

**6**

**7 (/AMR.1044-1045/7)**

**8 (/AMR.1044-1045/8)**

...

**> (/AMR.1044-1045/7)**

**>> (/AMR.1044-**

Showing 51 to 60 of 412  
Paper Titles

## Useful Links

SUBSCRIPTIONS  
 (/ACCOUNT/SUBSCRIPTIONS)/FoMSE.91)

FOR EDITORS (/INFO)

LOG IN  
 (/ACCOUNT/LOGON?RETURNURL=%2FAMR.1044-1045%2F6)

MY CART  
 (/PAYMENT/CART)

SEARCH  
 (/PAPERSSEARCH.ASPX)

CONTACT US  
 (/HOME/CONTACTS)

TERMS AND  
 CONDITIONS  
 (/HOME/TERMSANDCONDITIONS)

POLICY AND ETHICS  
 (/HOME/POLICYANDETHICS)

CONFERENCE ETHICS  
 AND QUALITY  
 CONTROL  
 (/HOME/CONFERENCEETHICSANDQUALITYCONTROL)

DISTRIBUTORS  
 (/DISTRIBUTOR)

DOWNLOADS  
 (/DOWNLOADS)

ABOUT US  
 (/HOME/ABOUTUS)

SITEMAP  
 (/HOME/SITEMAP)

## Recent Themes

- Advanced Engineering Forum Vol. 16 (/AEF.16)
- Structure and Properties of Building Materials (/FoMSE.91)
- New Frontiers in Manufacturing Engineering and Materials Processing Training and Learning II (/MSF.853)



## PERIODICALS

Search

### ENGINEERING RESEARCH

[Advanced Engineering Forum \(/AEF/details\)](/AEF/details)

[Journal of Biomimetics, Biomaterials and Biomedical Engineering \(/JBBBE/details\)](/JBBBE/details)

[Advances in Science and Technology \(/AST/details\)](/AST/details)

[Applied Mechanics and Materials \(/AMM/details\)](/AMM/details)

[International Journal of Engineering Research in Africa \(/JERA/details\)](/JERA/details)

[Foundations of Materials Science and Engineering \(/FoMSE/details\)](/FoMSE/details)

### MATERIALS SCIENCE

[Journal of Metastable and Nanocrystalline Materials \(/JMNM/details\)](/JMNM/details)

[Journal of Nano Research](#)

Home (/) > [Advanced Materials Research \(/AMR\)](/AMR) > [Details \(/AMR/details\)](/AMR/details) (</AMR/rss>)



## Advanced Materials Research

ISSN: 1662-8985

[Volumes \(/AMR\)](/AMR)   [My eBooks \(/AMR/ebooks\)](/AMR/ebooks)   [Details \(/AMR/details\)](/AMR/details)   [Editorial Board \(/AMR/editors\)](/AMR/editors)

**About:** "Advanced Materials Research" is a peer-reviewed journal which covers all aspects of theoretical and practical research of materials science: synthesis, analysis of properties, technologies of materials processing and their use in modern manufacturing.

"Advanced Materials Research" is one of the largest periodicals in the field of materials engineering.

"Advanced Materials Research" specializes in rapid publication of thematically complete volumes from international conference proceedings and complete special topic volumes. We do not publish stand-alone papers by individual authors.

Authors retain the right to publish an extended and significantly updated version in another periodical.

**Indexing:** indexed by

Index Copernicus Journals Master List  
[www.indexcopernicus.com](http://www.indexcopernicus.com).

Google Scholar [scholar.google.com](http://scholar.google.com).

Chemical Abstracts (CAS) [www.cas.org](http://www.cas.org).

[\(/JNanoR/details\)](#)

[Defect and Diffusion Forum \(/DDF/details\)](#)

[Solid State Phenomena \(/SSP/details\)](#)

[Diffusion Foundations \(/DF/details\)](#)

[Materials Science Forum \(/MSF/details\)](#)

[Key Engineering Materials \(/KEM/details\)](#)

[Nano Hybrids \(/NH/details\)](#)

[Advanced Materials Research \(/AMR/details\)](#)

## LIMITED COLLECTIONS

[Specialized Collections \(/SC/details\)](#)

[Retrospective Collection \(/RC/details\)](#)

Cambridge Scientific Abstracts (CSA) [www.csa.com](http://www.csa.com).

Inspec (IET, Institution of Engineering Technology) [www.theiet.org](http://www.theiet.org).

SCImago Journal & Country Rank (SJR) [www.scimagojr.com](http://www.scimagojr.com).

ProQuest [www.proquest.com](http://www.proquest.com).

EBSCO [www.ebsco.com](http://www.ebsco.com).

Zetoc [zetoc.jisc.ac.uk](http://zetoc.jisc.ac.uk).

Thomson Reuters (WoS), all volumes are submitted and selected ones will be indexed.

### Additional Information:

Please ask for additional information:

[amr@scientific.net](mailto:amr@scientific.net) ([amr@scientific.net](mailto:amr@scientific.net) )

**Subscription:** Irregular: approx. 30-50 volumes per year.

The subscription rate 2016 for **web access is EUR 1177.00 per year**.

Standing order price: 20% discount off list price(see here) (<http://scientific.net/Downloads>).

ISSN print 1022-6680 ISSN cd 1022-6680 ISSN web 1662-8985

### Share:

Main Themes published in this Periodical (/AMR)

## Useful Links

SUBSCRIPTIONS

[\(/ACCOUNT/SUBSCRIPTIONS\)/FoMSE.91\)](#)

FOR EDITORS (/INFO)

LOG IN

[\(/ACCOUNT/LOGON?](#)

[RETURNURL=%2FAMR%2FDETAILS\)](#)

MY CART

[\(/PAYMENT/CART\)](#)

SEARCH

[\(/PAPERSSEARCH.ASPX\)](#)

CONTACT US

[\(/HOME/CONTACTS\)](#)

TERMS AND

CONDITIONS

## Recent Themes

- [Advanced Engineering Forum Vol. 16 \(/AEF.16\)](#)
- [Structure and Properties of Building Materials](#)
- [New Frontiers in Manufacturing Engineering and Materials Processing Training and Learning II \(/MSF.853\)](#)



Scientific.Net is a registered

brand of Trans Tech

Publications Inc.

2016 by Trans Tech

Publications Inc. All Rights

Reserved

[\(/HOME/TERMSANDCONDITIONS\)](#)

[POLICY AND ETHICS](#)

[\(/HOME/POLICYANDETHICS\)](#)

[CONFERENCE ETHICS](#)

[AND QUALITY](#)

[CONTROL](#)

[\(/HOME/CONFERENCEETHICSANDQUALITYCONTROL\)](#)

[DISTRIBUTORS](#)

[\(/DISTRIBUTOR\)](#)

[DOWNLOADS](#)

[\(/DOWNLOADS\)](#)

[ABOUT US](#)

[\(/HOME/ABOUTUS\)](#)

[SITEMAP](#)

[\(/HOME/SITEMAP\)](#)



## Behavior of Flame Propagation in Biogas Spark Ignited Premix Combustion with Carbon Dioxide Inhibitor

Willyanto Anggono<sup>1,a</sup>, Fandi Dwiputra Suprianto<sup>2,b</sup>, Tubagus P. Wijaya<sup>3,c</sup>,  
Michael S.C. Tanoto<sup>4,d</sup>

<sup>1,2,3,4</sup>Mechanical Engineering Department, Petra Christian University, Indonesia

<sup>a</sup>willy@petra.ac.id, <sup>b</sup>fandi@petra.ac.id, <sup>c</sup>skyforged@gmail.com, <sup>d</sup>michael\_tanoto@yahoo.com

**Keywords:** Biogas, Carbon dioxide, Flame propagation, Premix combustion, Sustainable energy.

**Abstract.** Biogas is a mixture of gases which commonly consists of methane (up to 50%) and other inhibitor gases which are dominated by carbon dioxide (up to 50%). Biogas is produced naturally by the decomposition of organic materials such as vegetation or animal manure in the absence of oxygen and it also contributes less greenhouse gases which may lead to global warming or climate change. The presence of carbon dioxide (CO<sub>2</sub>) in biogas is presumed to have some effects on biogas flame propagation characteristics. This study focuses on the effect of carbon dioxide (CO<sub>2</sub>) as the biggest inhibitor composition in biogas on flame propagation speed as the important flame propagation characteristic in spark ignited premix combustion. Propagating flames are employed to measure the flame propagation speed as a function of the mixture composition. This parameter was measured using a transparent tube fuel chamber with dimensions of 60 mm inner diameter and 300 mm height based on DIN 51649 standards and recorded by high speed digital photographic technique. The characteristic of biogas-oxygen flames were studied at stoichiometric, room temperature and atmospheric condition from 0% to 50% CO<sub>2</sub> biogas inhibitor composition increased by 10% for each experiment. The results showed that the carbon dioxide decreases flame propagation speed of biogas. These indicated that carbon dioxide reduced reaction rate of biogas premixed combustion.

### Introduction

Biogas is a mixture of gases which commonly consists of methane (up to 50%) and other inhibitor gases which are dominated by carbon dioxide (up to 50%). Methane is a flammable gas, whereas, carbon dioxide is inhibitor. Biogas is produced naturally by the decomposition of organic materials such as vegetation or animal manure in the absence of oxygen and it also contributes less greenhouse gases which may lead to global warming or climate change. Biogas, an alternative fuel that is sustainable and renewable which derived from fermentation of organic material in digester [1-4].

Biogas is suitable as an environmentally friendly, alternative fuel to substitute fuels like kerosene, LPG, coal and other materials derived from fossil. Biogas contains many impurities that affect the characteristics of the biogas. While some research has been conducted to study the use of biogas for cooking (stove) and machinery such as gas turbines, more research is required before it becomes a substitute for fossil fuels [1-10].

Inhibitors content of the biogas cause a reduction in the velocity of a laminar burning velocity due to the reduced concentration of methane and reduced flame temperature caused by absorbed heat by carbon dioxide and nitrogen [1-4]. A further research is required to determine the influence of carbon dioxide levels in biogas combustion characteristics. Combustion itself is a chemical reaction between a fuel and oxidizer (oxygen or air) that produce heat and light. The heat or energy that is used to activate fuel molecules is called activation energy. Visual observation towards the produced flame shows that in the absence of carbon dioxide, a perfect combustion produces a blue flame. Additionally, 25% and 50% of carbon dioxide content causes a yellowish flame. The color of

the flame indicates the type of ion produced during combustion process. Flame color is the wavelength of dominant vibrations of ions in flames. CO<sub>2</sub> lowers the flame burning velocity due to CO<sub>2</sub> molecules inhibits the reaction of collisions between molecules of the hydrocarbon content of propane with molecular oxygen [11].

### Experimental Methods

Details of experimental apparatus are shown in Fig. 1. This study was carried out by using experimental standard a transparent tube fuel chamber with dimensions of 60 mm inner diameter and 300 mm height based on DIN 51649 standard and recorded by high speed digital photographic technique.

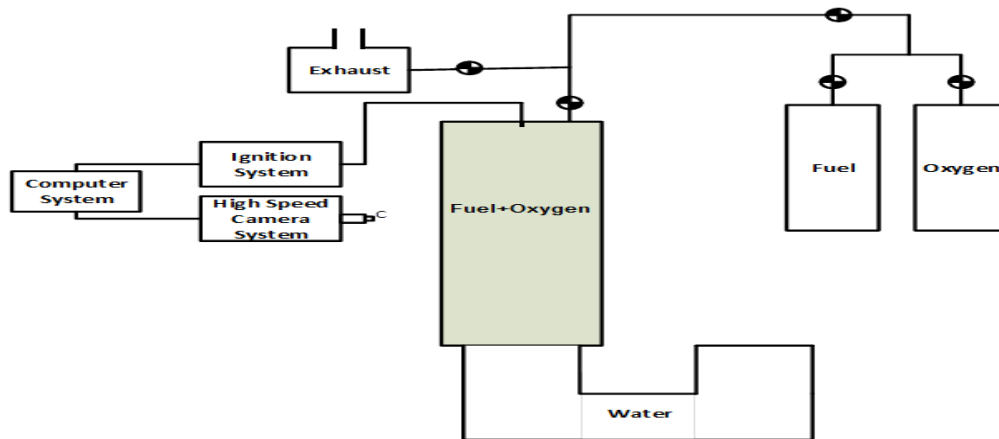


Fig. 1. The Experimental Schematic Diagram

The characteristics of biogas-oxygen flames were studied at stoichiometric, room temperature and atmospheric condition. Initially, all the experiments in this study were implemented at atmospheric pressure (1 atm) and with inhibitorless biogas at ambient temperatures. The findings were compared with those from biogas (containing CO<sub>2</sub>) at atmospheric pressure with 0% to 50% CO<sub>2</sub> biogas inhibitor composition increased by 10% for each experiment.

### Results and Discussion

The characteristics of biogas-oxygen flames were studied at stoichiometric, room temperature and atmospheric condition from 0% to 50% CO<sub>2</sub> biogas inhibitor composition increased by 10% for each experiment. The images obtained from the flame propagation within the cylindrical combustion chamber are shown in Fig. 2.

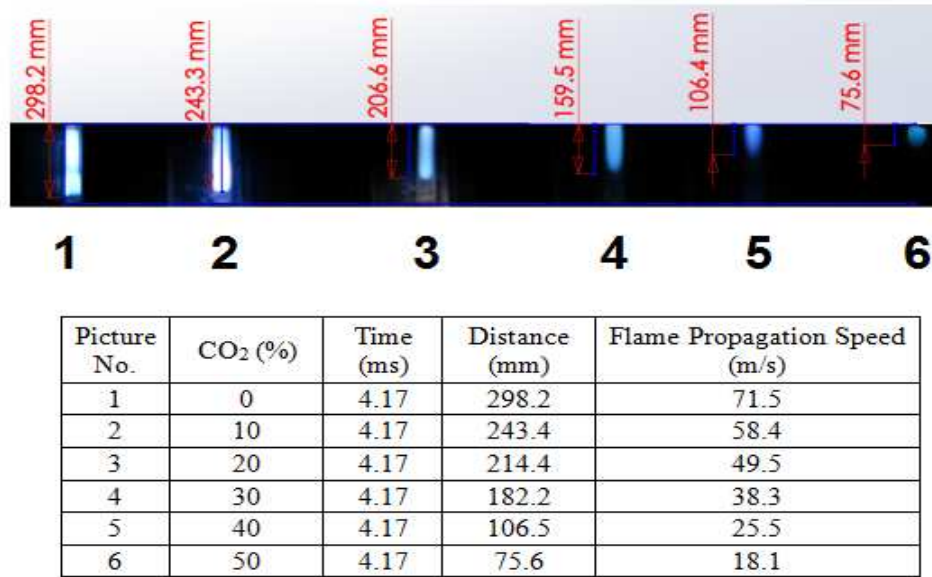


Fig. 2. Flame Propagation Experimental Results

Increasing carbon dioxide concentration in biogas reduces flame propagation speed and the reaction rate was occurred slower. This can be seen with the same time (4.17 milliseconds), the distance in which the flame propagates decrease with the increase of carbon dioxide concentrations in the fuel as shown in Fig. 3.

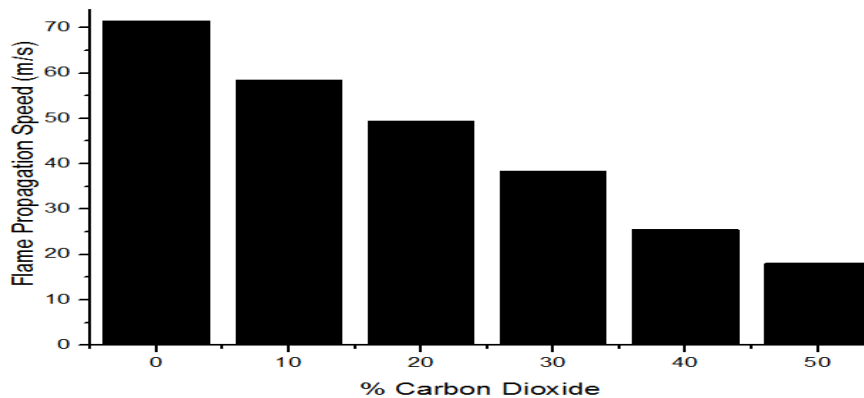


Fig. 3. Effect Carbon Dioxide on Flame Propagation Speed

The decrease of flame propagation speed is seen by the distance traveled by the flame within 4.17 milliseconds. On fuel with 0% content of carbon dioxide, flame reached the 298.2 mm in 4.17 ms. On 10% carbon dioxide inhibitor, the flame reached 243.4 mm in 4.17 ms, this distance indicates that there is a decrease of flame propagation speed. The same tendency applies to 20%, 30%, 40% and 50% carbon dioxide inhibitors. 50% content of carbon dioxide have the slowest flame propagation speed. This is due to the ability CO<sub>2</sub> in biogas fuel as an inhibitor that reduces oxidation chemical reactions in combustion. The presence of carbon dioxide reduces the amount of methane in the fuel component so that the total amount of reactive material is lower than that in a pure methane fuel (inhibitorless biogas). Moreover, carbon dioxide will absorb the heat of combustion and hence reduces the combustion temperature.

## Conclusion

The presence of carbon dioxide in biogas reduces flame propagation speed at biogas spark ignited premix combustion. This is due to the ability CO<sub>2</sub> in biogas fuel as an inhibitor that reduces oxidation chemical reactions in combustion. The presence of carbon dioxide reduces the amount of

methane in the fuel component so that the total amount of reactive material is lower than that in a pure methane fuel (inhibitorless biogas). Moreover, carbon dioxide absorbs the heat of combustion and hence reduces the combustion temperature.

### Acknowledgments

Many thanks to Direktorat Jendral Pendidikan Tinggi Kementerian Pendidikan Nasional Republik Indonesia (Hibah Penelitian Fundamental 2014) and Petra Christian University, Indonesia.

### References

- [1] Anggono W, Wardana ING, Lawes M, Hughes KJ, Wahyudi S, Hamidi N. Laminar Burning Characteristics of Biogas-Air Mixtures in Spark Ignited Premix Combustion. *Journal of Applied Sciences Research* 2012;8:4126-32.
- [2] Anggono. W., Wardana. I.N.G., Lawes. M., Hughes. K.J., Wahyudi. S., Hamidi. N., and Hayakawa. A.. Laminar Burning Velocity and Flammability Characteristics of Biogas-Air Mixtures in Spark Ignited Premix Combustion. *Journal of Physics Conference Series* 2013; 423:012015(1-7)
- [3] Anggono W, Wardana ING, Lawes M, Hughes KJ, Wahyudi S, Hamidi N. “Laminar Burning Velocity and Flammability Characteristics of Biogas in Spark Ignited Premix Combustion at Reduced Pressure”. *International Journal Applied Mechanics and Materials* 2013;376:79-85.
- [4] Anggono W., Wardana ING, Lawes M., Hughes K.J., “Effect of Inhibitors on Biogas Laminar Burning Velocity and Flammability Limits in Spark Ignited Premix Combustion”, *International Journal of Engineering and Technology* 2014;5:4980-87.
- [5] Cacua K, Amell A, Cadavid F. Effects of oxygen enriched air on the operation and performance of a diesel-biogas dual fuel engine. *Biomass and Bioenergy* 2012;45:159-167.
- [6] Lichtman R, Ellegard A, Lal S, Sharma N. The Improved Biogas Systems Project: results and future work. *Energy for Sustainable Development* 1996;3(4):28–42.
- [7] Ferrer I, Garfi M, Uggetti E, Marti LF, Calderon A, Velo E. Biogas production in low-cost household digesters at the Peruvian Andes. *Biomass and Bioenergy* 2011; 35:1688-74.
- [8] Bond T, Templeton MR. History and future of domestic biogas plants in the developing world. *Energy for Sustainable Development* 2011;15(4):347–54.
- [9] Lafay Y, Taupin B, Martins G, Cabot G, Renou B, Boukhalifa. Experiment study of biogas combustion using a gas turbine configuration. *Experiments in Fluids* 2007;43:395-410.
- [10] Porpatham E, Ramesh A, Nagalingam B. Investigation on the effect of concentration of methane in biogas when used as a fuel for a spark ignition engine. *Fuel* 2008;87:1651-9.
- [11] Ilminnafik N, Hamidi N, Wardana ING. Behavior of flame propagation in LPG premixed combustion with carbon dioxide inhibitor. *International Journal of Academic Research* 2011;3(2):705-8.



**Behavior of Flame Propagation in Biogas Spark Ignited Premix Combustion with Carbon Dioxide Inhibitor**

10.4028/www.scientific.net/AMR.1044-1045.251

**DOI References**

[3] Anggono W, Wardana ING, Lawes M, Hughes KJ, Wahyudi S, Hamidi N. Laminar Burning Velocity and Flammability Characteristics of Biogas in Spark Ignited Premix Combustion at Reduced Pressure,. *International Journal Applied Mechanics and Materials* 2013; 376: 79-85.

<http://dx.doi.org/10.4028/www.scientific.net/AMM.376.79>

[5] Cacua K, Amell A, Cadavid F. Effects of oxygen enriched air on the operation and performance of a diesel-biogas dual fuel engine. *Biomass and Bioenergy* 2012; 45: 159-167.

<http://dx.doi.org/10.1016/j.biombioe.2012.06.003>

[6] Lichtman R, Ellegard A, Lal S, Sharma N. The Improved Biogas Systems Project: results and future work. *Energy for Sustainable Development* 1996; 3(4): 28-42.

[http://dx.doi.org/10.1016/S0973-0826\(08\)60202-1](http://dx.doi.org/10.1016/S0973-0826(08)60202-1)

[7] Ferrer I, Garfi M, Uggetti E, Marti LF, Calderon A, Velo E. Biogas production in low-cost household digesters at the Peruvian Andes. *Biomass and Bioenergy* 2011; 35: 1688-74.

<http://dx.doi.org/10.1016/j.biombioe.2010.12.036>

[8] Bond T, Templeton MR. History and future of domestic biogas plants in the developing world. *Energy for Sustainable Development* 2011; 15(4): 347-54.

<http://dx.doi.org/10.1016/j.esd.2011.09.003>

[9] Lafay Y, Taupin B, Martins G, Cabot G, Renou B, Boukhalfa. Experiment study of biogas combustion using a gas turbine configuration. *Experiments in Fluids* 2007; 43: 395-410.

<http://dx.doi.org/10.1007/s00348-007-0302-6>

[10] Porpatham E, Ramesh A, Nagalingam B. Investigation on the effect of concentration of methane in biogas when used as a fuel for a spark ignition engine. *Fuel* 2008; 87: 1651-9.

<http://dx.doi.org/10.1016/j.fuel.2007.08.014>